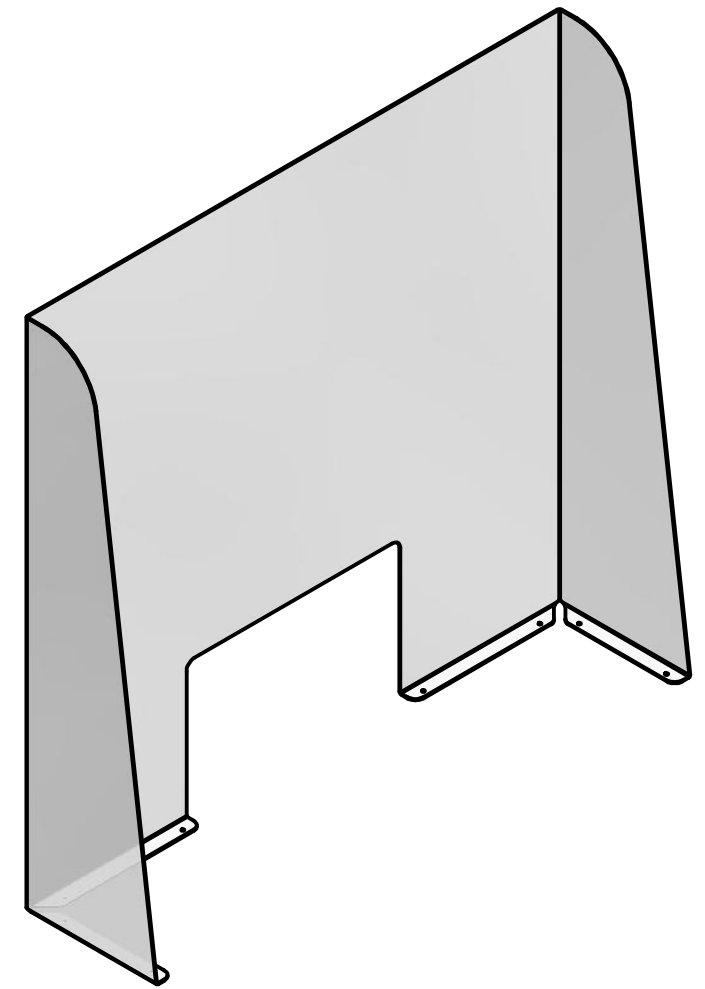
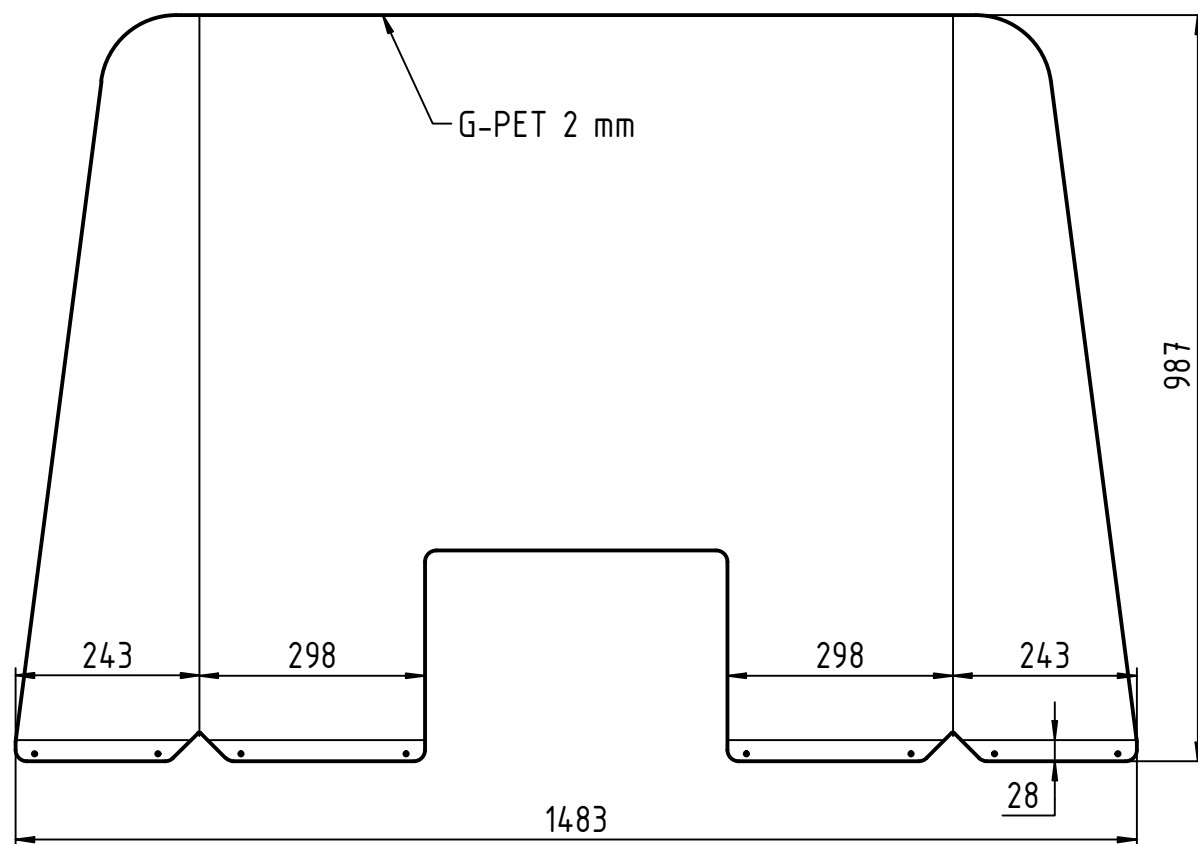


Rozwinięcie ( 1 : 10 )



Created by	Approved by	Paper Size A3	Scale 1 : 10
		N/A	
		N/A	
Title, Supplementary titel Antibacterial cover		<b>005-14110</b>	
Rev.	Date of issue 17.03.2020	Lang. EN	Sheet 1 / 1

